

CONVENTIONAL HEAT DETECTOR

MODEL NO-C-100-HD



The conventional Heat Detectors are Designed to work with all make conventional Panels.

This is new-generation product with built-in microprocessor which make it stable and reliable performance.

The detector is combined with the latest in thermal element technology, the detector provides efficient and accurate detection of fire especially in environments where smoke detector is in appropriate due to high level of airborne contamination.

Heat Detector Working Principal is When the Temperature in Premises rise above a certain threshold, they trigger an alarm signal. The threshold signal is Set Above Normal Ambient Temperature to Avoid False Alarm.

It is suitable for detecting fire in Bars, Kitchens, Houses, Stores, Hotels, and Warehouses etc

Features and Benefits :

- Sleek Low Profile Housing Design.
- Highly Reliable and reduce the false alarm.
- Easy Installation.

☎ +91-8527498960, 8527498961, 8527498962

✉ sales@agniprotection.com, support@agniprotectionindia.com

🌐 www.agniprotection.com



An ISO 9001-2008 Certified Co.
AGNI PROTECTION PVT. LTD.
DATASHEET

- Dual LED for 360°visibility.
- Blink green in normal condition and steady red in case of fire.
- Network Relay Output for RI.
- Fixed Cum Rate of Rise Heat Detector.
- Dustproof, anti-light interference design.
- Low standby current.
- Compatible With All Make Conventional Fire Alarm and Zone Monitor Module.
- Fully Confirm IS 2189
- Bi-Colour Led Status Indicator.
- RI Blinking in Normal Mode.

Technical Specifications :

Product Design	2 Wire
Operating Voltage	16-30 V DC
Standby Current	75 μ A.
Current Consumption at Alarm Condition	25 mA
LED Indication	Present
Temperature Range	57° C
Sensor	Thermistor
Quiescent Current	\leq 75uA
Blinking Cycle	12 sec.
Installation Method	Ceiling Mounted

ENVIRONMENTAL INFORMATION:

Operating Temperature	0° C to + 65° C
Operating Humidity	5 to 95% Relative Humidity (noncondensing)

MECHANICAL SPECIFICATION:

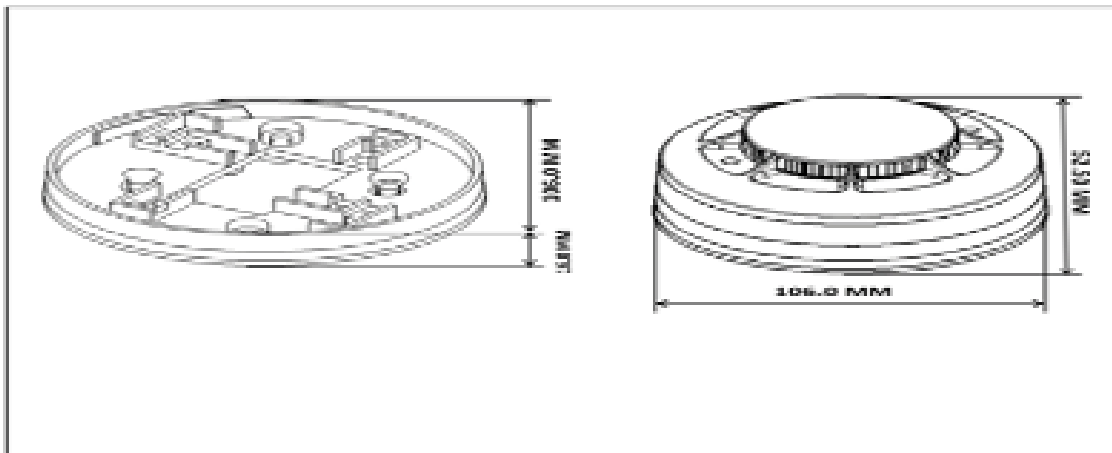
Hight	52.4
Diameter	106 MM
Colour	White
Weight	150 gm.
Housing	ABS FR

 +91-8527498960, 8527498961, 8527498962

 sales@agniprotection.com, support@agniprotectionindia.com

 www.agniprotection.com

MECHANICAL DESIGN:



WIRING GUIDELINES:

- All the wire installation must accord with National and local effective laws and criteria.
- All wires must have the suitable size and must have colour coding to avoid connection errors. And unsuitable connection will lead to alarm error when Fire happens.
- The product should not be installed in the extreme hot or cold, high wind speed surroundings and in the conditions where there is often a lot of smoke or dust.
- The detector needs to be tested every 2 months.
- The product can reduce the possibility of accidents, but it cannot guarantee absolute safety. Besides using this product correctly.
- The dust cover cannot be removed until the project has been plunged into usage. Otherwise, it can't alarm normally.
- Clean the detector at least once a year to ensure normal operation of the system.



An ISO 9001-2008 Certified Co.
AGNI PROTECTION PVT. LTD.
DATASHEET

ORDERING INFORMATION:

MODEL NO	PACK QTY.	DIMESION (WXHXD) MM	WEIGHT
C-108Z	1	420X350X125	5.5 KG

+91-8527498960, 8527498961, 8527498962

sales@agniprotection.com, support@agniprotectionindia.com

www.agniprotection.com